

Programming steps to the TEXECOM 8168 Control panel working in conjunction to RDC transmitters.

Connecting the transmitter to the panel:

Connect the R (RING) wire to the transmitter negative. Connect the T (TIP) wire to the transmitter CID connection. Power the transmitter directly from the battery.

Entering programming:

Press 1 2 3 4 and it will immediately go into programming.

Use the up/down arrow keys to move between the options

Programming the communicator:

Note that a COM300 or COM2400 plug in module is needed to connect RING and TIP

Go to UDL/Digi options

Go to program Digi

Select Arc 1 protocol

Press the NO key and move to the option Contact ID and press YES to confirm

Press YES to move to the next option of primary Tel. no. and press NO to edit

Press 1 2 3 4 and press YES to confirm

Press the arrow keys to move to Account number and press NO to edit

Press 1 2 3 4 and press YES to confirm

Press the arrow keys and move to Report areas and press NO to edit

Press 1 and YES to enable reporting on partition. Do the same with the relevant partitions that's being used

Press the arrow keys and move to Reports and press NO to edit

Press 1 2 3 4 5 6 7 8 to enable all reporting and press YES to confirm

Press MENU to go back to main screen

Go to Digi options

Press NO to edit the Digi options

Press 1 to enable the Digi Comm board. Press YES to confirm and Press MENU to go back to main screen.

Programming zone arming and disarming:

(Note that Zone 7 and 8 has been used as an example)

AWAY arming Relay1

Connect relay 1 to Zone 7 with resistor in series to the NC and COM

Go into programming

Go to Zone Setup and press YES

Use the arrow key and go to zone 7. Press NO to edit and use the arrow key to go to MOMENT KEY and select it by pressing YES

Press YES to go to Attributes 1 and press NO to edit. Use the arrow key to go to INSTANT ARM and press NO to Enable it and press YES

STAY arming Relay2

Connect relay 2 to Zone 8 with resistor in series to the NC and COM

Go into programming

Go to Zone Setup and press YES

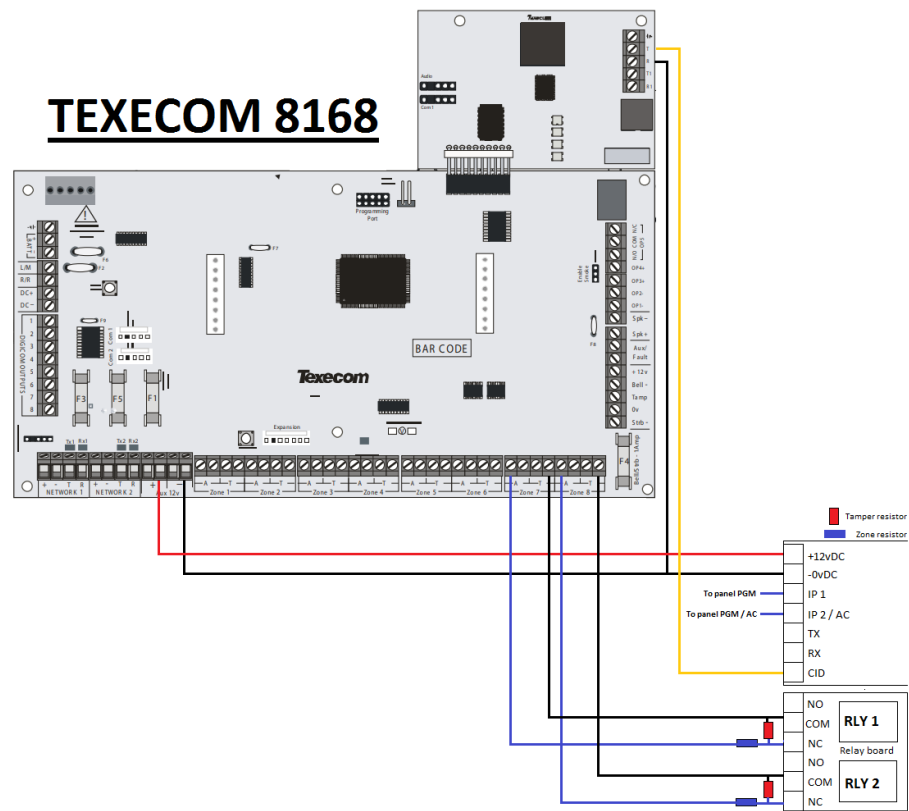
Use the arrow key and go to zone 8. Press NO to edit and use the arrow key to go to MOMENT KEY and select it by pressing YES

Press YES to go to Attributes 1 and press NO to edit. Use the arrow key to go to PART 1 OMIT and press NO to Enable it and press YES

To exit and save programming:

Press MENU and the Keypad will ask if you want to exit and log off, Press YES

DEOL Wiring



SEOL Wiring

