

Programming steps to the PARADOX EVO192 Control panel working in conjunction to RDC transmitters.

Connecting the transmitter to the panel:

Connect the R (RING) wire to the transmitter negative. Connect the T (TIP) wire to the transmitter CID connection. Power the transmitter directly from the battery.

Entering programming:

Press and hold down 0 and then press ENTER 0 0 0 0 0 0 (This is the default installer code)

Programming the communicator:

The keypad expects a 4-digit section number

Press 3036 To enable telephone reporting

Ensure 3 is on

Press 3061 Program the communicator account number

Press 1234

Note if there is more than one partition, sections 3062 to 3068 should also be set as 1234

Press 3070 Programming of the reporting format of Contact ID

Press 5555

Press 3071 Programming of the telephone number 1

Press 1234

Press 4032 This will automatically fill in the zone reporting codes

Press 4037 This will automatically fill in the trouble reporting codes

Programming zone arming and disarming:

Away arming using relay1

(Note that Zone 7 has been used as an example)

Enter Section 0503 for Keyswitch programming

Type in the 8-digit panel serial number (012xxxBC) found inside the panel and then select the 3-digit zone input number (007) where the key switch gets wired to.

Enter Section 0603 for Keyswitch programming

Press 1 for the assigned partition 1

Press 1 for the Momentary key switch pulse

Press 7 for Force arming

Press 8 for Instant arming (AWAY)

Enter section 3130 for setting the key switch arming delay time

Press 001 for 1 second waiting time (note 0 sec does not work, value must be 1)

STAY arming using relay2

(Note that Zone 8 has been used as an example)

Enter any Section 0501 - 0532 for Key switch programming

Type in the 8-digit panel serial number (012xxxBC) found inside the panel and then select the 3-digit zone input number (008) where the key switch gets wired to.

Enter any Section 0601 - 0632 for Key switch programming

Press 1 for the assigned partition 1

Press 1 for the Momentary key switch pulse

Press 7 for Force arming

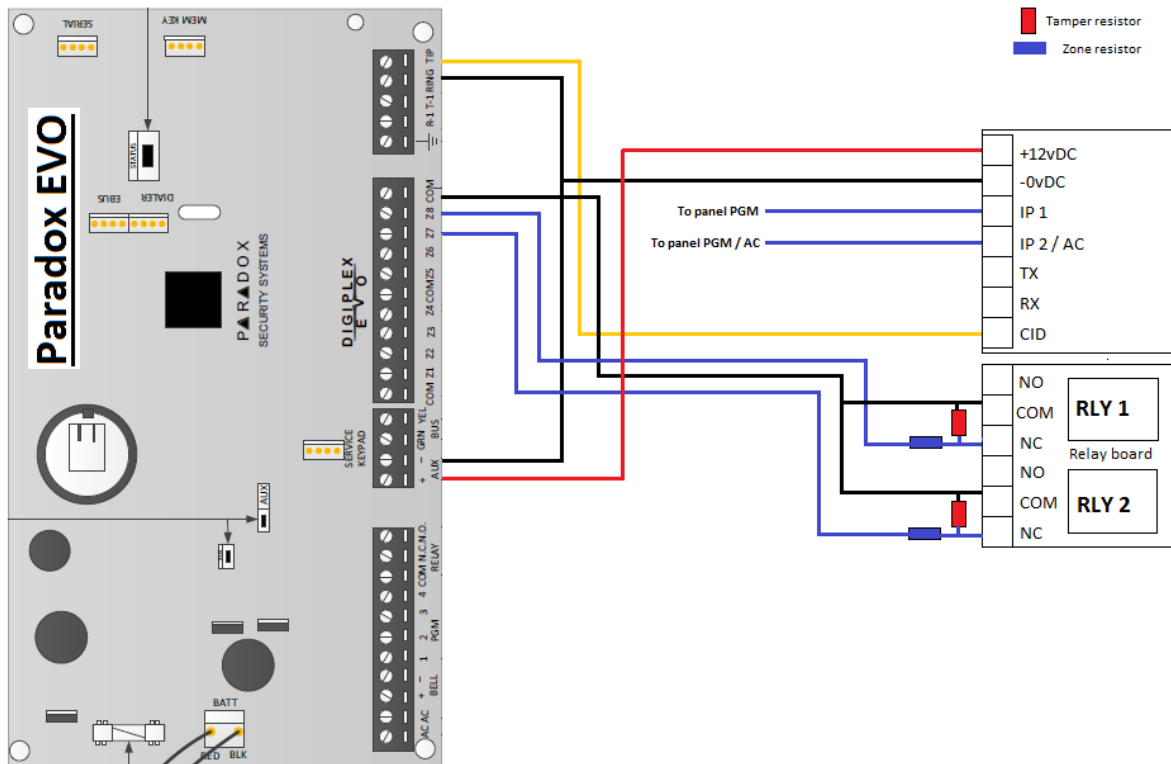
Press 6 for STAY arming

Enter section 3130 for setting the Keyswitch arming delay time

Press 001 for 1 second waiting time (note 0 sec does not work, value must be 1)

To exit programming press CLEAR

DEOL Wiring



SEOL Wiring

