

Programming steps to the FBI Omni 400/600 Control panel working in conjunction with RDC transmitters.

Connecting the transmitter to the panel:

Connect the R (RING) wire to the transmitter negative. Connect the T (TIP) wire to the transmitter CID connection. Power the transmitter directly from the battery.

Entering programming:

Press (CODE) button + * + (installer code 2468) + 1 + (sub-mode 1-4)

Sub mode 1 is system programming

Sub mode 2 is zone programming

Sub mode 4 is descriptions

Programming the communicator:

Go to Q01 by pressing * 01

Q01 will be for the 1st telephone number

Press 1 # 2 # 3 # 4 # CODE 1 # CODE 1 #... repeat until Q01 is done and L05 to L32 displaying AAAA

Go to Q05 by pressing * 05

Q05 will be for the primary Account number

Press 1 # 2 # 3 # 4 # CODE 1 # CODE 1 #... repeat until Q05 is done and L05 to L08 displaying AAAA

Go to Q07 by pressing * 07

Q07 will be for the CS reporting format

Press CODE 5 # and 0 # CODE 5 # and 0 #. It should display on the LCD screen as E0E0 as this is to set tel. 1 and 2 for ADEMCO Point ID

Go to Q08 by pressing * 08

Q08 will be for the reporting options

Press 4 # 0 # 8 # 7 #

4087 explained -	4	is to enable backup telephone number and stay reporting
	0	is to disable tamper restore reporting
	8	is for 8 dialling attempts
	7	is for reporting AC/Battery/Zone restoral

Go to Q09 by pressing * 09

Q09 will be for system options

Press 0 # 0 # 2 # 7

0027 explained -	0	no bell if dial delay/fast zone/double balanced zones disabled
	0	Ac frequency is set to 60Hz
	2	Touch tone dialling method is used and 4-digit user codes
	7	Test intervals set to report every hour

Programming zone arming and disarming and options:

Entering programming: System Options

Press (CODE) button + * + 2468 + 1 + 1

Go to Q11 by pressing * 11

Q11 will be for Arming options

Press 1 # 3 # 0 # 3 #

1303 explained -	1	Stay arm button on keypad can be used to stay arm the system
	3	Enables you to arm with faults and bypass error
	0	Following options are disabled – Disable arm, exit extends, No AC/NAK arm
	3	Quick arm and force arming enabled

Go to Q16 by pressing * 16

Q16 will be to set Entry/Exit delays

Press 5 # 5 # 1 # 0 #

5510 explained -	5	Entry delay time 1 is on 30 seconds
	5	Entry delay time 2 is on 30 seconds
	1	Exit delay time is 10 seconds (delay can't be set lower)
	0	Dialler delay set to 15 seconds (delay can't be set lower)

Press STAY to save and exit programming

Entering programming: Zone programming and reporting codes

Press (CODE) button + * + 2468 + 1 + 2

(Note that Zone 5 and 6 has been used as an example)

Go to Q05 by pressing * 05 (For Zone 05)

Press 8 # 0 # 0 # 1 #

8001 explained -	8	Option to select as a key switch zone
	0	Selects zone to be an EOL zone
	0	Entry will not be a silent or a swinger zone
	1	Will be set as a STAY arming zone

Go to Q06 by pressing * 06 (For Zone 06)

Press 8 # 0 # 0 # 0 #

8000 explained -	8	Option to select as a key switch zone
	0	Selects zone to be an EOL zone
	0	Entry will not be a silent or a swinger zone
	0	Will be set as a normal away arming

Go to Q21 by pressing * 21 for Open/Close reporting codes to be set

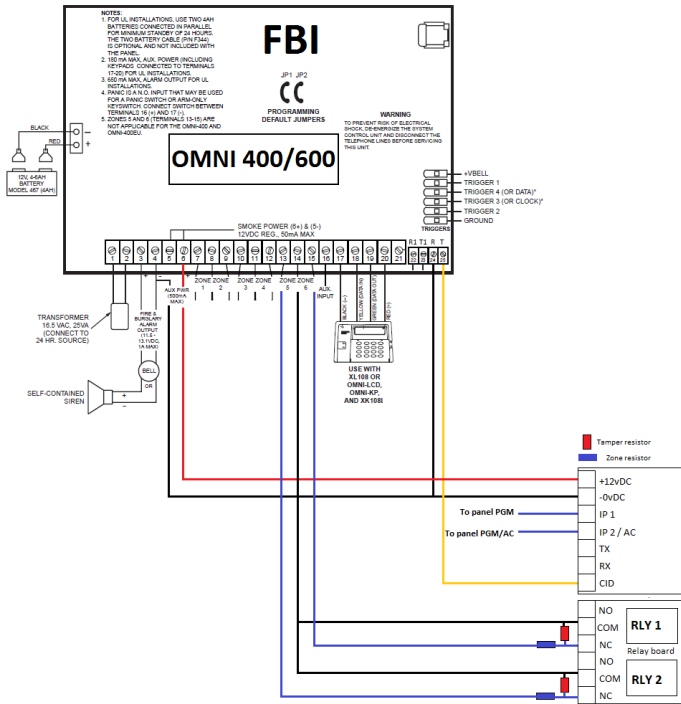
Press 1 # 1 # A # A #

11AA explained -	1	Event 'a' for L1
	1	Event 'a' for L2
	A	Not available
	A	not available

To exit and save programming:

Press STAY button

DEOL wiring



SEOL wiring

