

Programming steps to the DSC 1864 Control panel working in conjunction to RDC transmitters.

Connecting the transmitter to the panel:

Locate the R and T connectors on the right-hand side of the DSC PC1864 panel. Connect the R (RING) wire to the transmitter negative. Connect the T (TIP) wire to the transmitter CID connection. Power the transmitter directly from the battery.

Entering programming:

Press * 8 5 5 5 5 Installer mode * 8 and installer code 5 5 5 5

Programming the communicator:

Section –	Press 301	Telephone number -	Press 1 2 3 4 * 6 6 6 6... (example 1234FFFFFF....)
	Press 310	System Account Code -	Press 1 2 3 4 * 6 6 (example 1234FF)
	Press 311	Partition account Code -	Press 1 2 3 4

Note that if there is partition 2 – 8, the section 312 to 318 should be programmed as 1 2 3 4

Press 350	Communicator format -	Press 0300 (tel. 1 is 03 and tel. 2 is 00 not used)
-----------	-----------------------	---

Note that for call directions options Locations 351 – 374, no. 1 should be on for Partition 1. If the system has more partitions, then no. 2 – 8 should also be on.

Press 367	Op/Cl Comms call direction –	No 1 and 5 should be on (Tel1 and Alt Comm)
Press 380	First Comms options -	Ensure no.1 is on (Enabling communications)
Press 381	Second Comms options -	Ensure no.4 is on (Closing Confirmation enabled)

Away and Stay arming using relay 1 and 2

(Note that Zone 7 and 8 have been used as an example)

Section -	Press 001	Programming will start from zone 1. Use the > arrow to move to Zone 7 and program it as 22 (Momentary key switch zone) Zone 8 and program it as 01 (Entry Exit)
	Press 005	Press 01 for partition 1 Press 030 (Entry 1 delay in seconds) Press 030 (Entry 2 delay in seconds) Press 005 (Exit delay to be made three seconds for instant arming)
	Press 023	8 should be OFF for Key switch arming in away mode and stay mode
	Press 202	Ensure 7 and 8 is on as this is assigned for P1

Away Arming only using relay 1 only

Section -	Press 001	Programming will start from zone 1. Use the > arrow to move to Zone 7 and program it as 22 (Momentary key switch zone)
-----------	-----------	---

Press 005

Press 01 for partition 1

Press 030 (Entry 1 delay in seconds)

Press 030 (Entry 2 delay in seconds)

Press 003 (Exit delay to be made three seconds for quicker arming)

Press 023

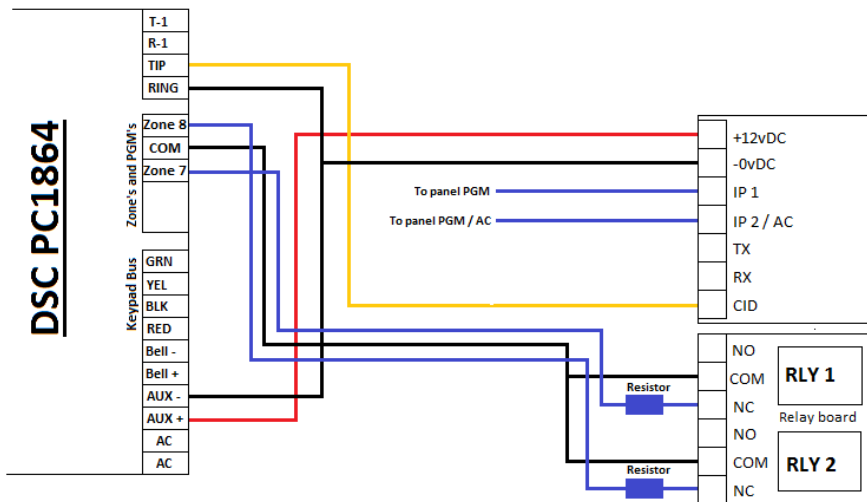
8 should be ON for Key switch arming in away mode only

Note, for the panel to instantly arm via the key switch zone, the exit delay time should be set to 3 seconds.

To exit and save programming:

Press # #.

SEOL Connection



DEOL Connection

